



Speakers in headrest

TILT in space

Abduction block

Tray

Swivel seat

Side protect

Lateral support

Suitable for children 100-150 cm

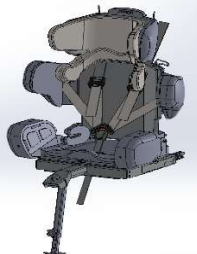
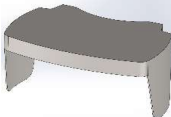

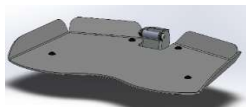
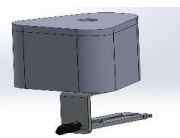
Anatomic seat cushion

Fully adjustable footrest

Tested and approved on the ECE-R129/03

car seat

LW13000

	Auto Sitz Liw Care Simon	CHF exkl MwSt
Autositz - Sitzeinheit inkl: - Kopfstütze -5- Punktgurt- Oberschenkelführung - Isofixanbindung - Stützfuss - Sitzwinkelverstellung- Drehsitz		CHF 3'980.00
Tablett-Tisch		CHF 310.00
Seitenstützen		CHF 310.00
Fussbrett		CHF 290.00
Abduktionskeil		CHF 290.00

Preisliste (Stand April 2023)

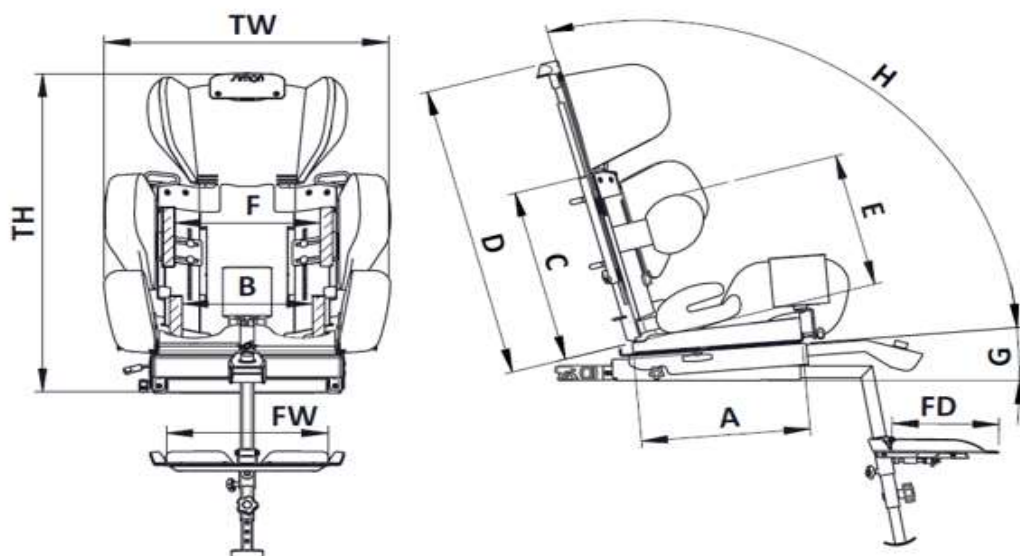


www.rehalize.ch

info@rehalize.ch

041 367 70 07

simon car seat



Dimension	Symbol	
Seat depth	A	27 – 37 cm
Seat width	B	18 - 28 cm
Back height	C	33 – 53 cm
Headrest height	D	55 – 75 cm
Lateral support height	E	22 – 33 cm
Distance of lateral support	F	15 – 29 cm
Seat angle (tilt)	G	0° - 10°
Back angle	H	90° - 115°
Total width	TW	54 – 62 cm
Total height	TH	63 – 77 cm
Footrest platform depth	FD	20 cm
Footrest platform width	FW	32 cm
Minimum user height		100 cm
Maximum user height		150 cm

